

INSTRUCTION MANUAL



sim-pole.com

Part list

Parts

Item nr.	Description	Qty
A	Profile 4040 150mm	1
B	Profile 4040 250mm	1
C	T-plate	1
D	Gear shift plate	1
E	Side plate	1

Fasteners

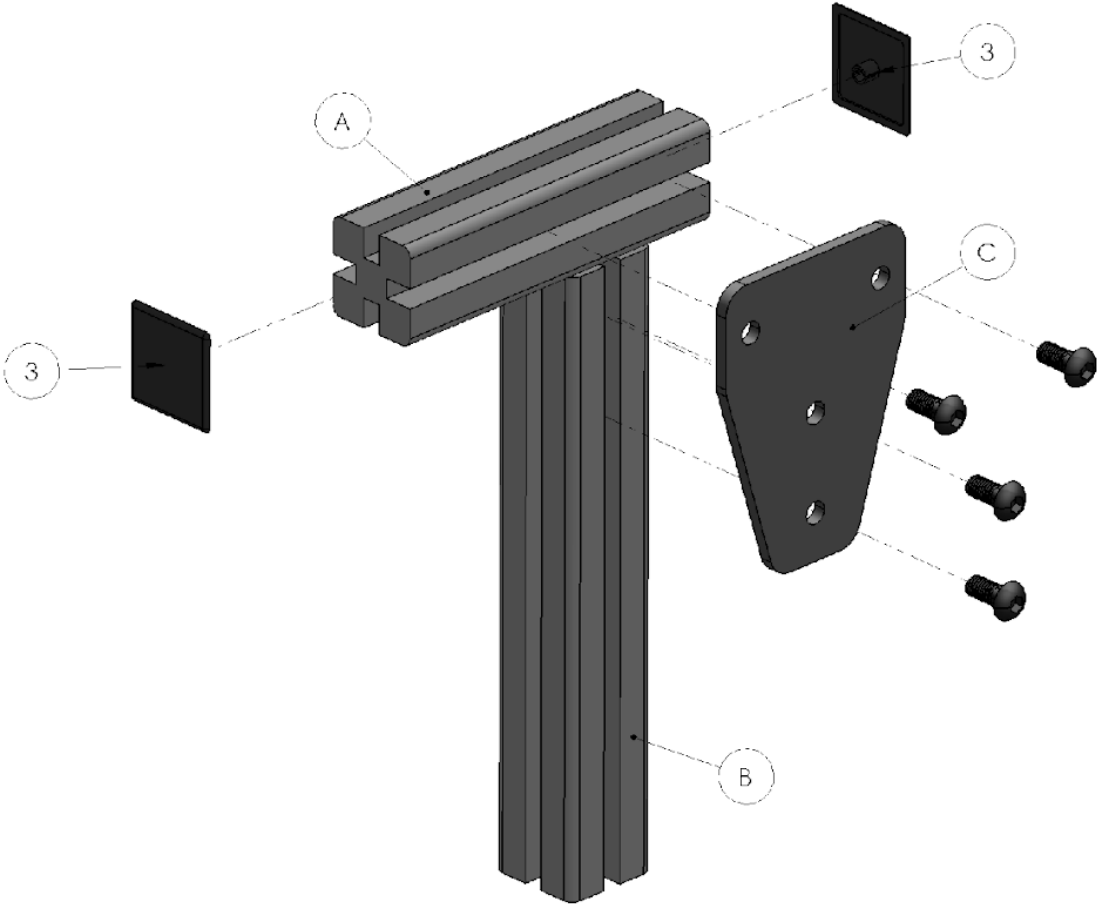
Item nr.	Description	Qty
1	M8x20 bolt	12
2	M8 t-slot nut	12
3	End cap 4040	2

Tools required



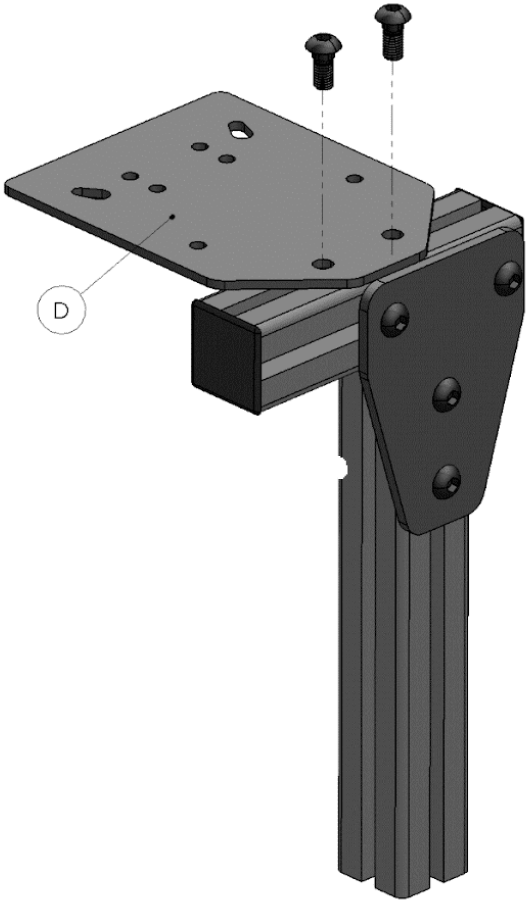
6mm

Step 1



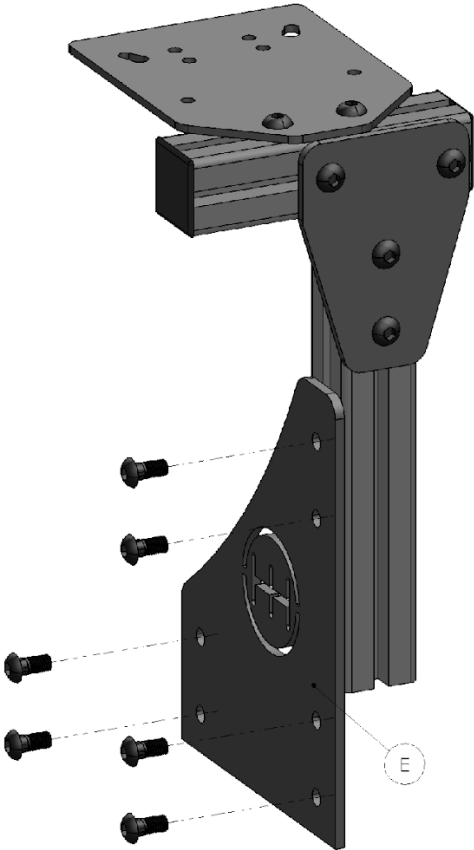
Item nr.	Description	Qty
A	Profile 4040 150mm	1
B	Profile 4040 250mm	1
C	T-plate	1
1	M8x20 bolt	4
2	M8 t-slot nut	4
3	End cap 4040	2

Step 2



Item nr.	Description	Qty
D	Gear shift plate	1
1	M8x20 bolt	2
2	M8 t-slot nut	2

Step 3



Item nr.	Description	Qty
E	Side plate	1
1	M8x20 bolt	6
2	M8 t-slot nut	6