

INSTRUCTION MANUAL



sim-pole.com

Part list

Parts

Item nr.	Description	Qty
A	Profile 4040 500mm	2
B	Profile 4080 1200mm	2
C	Upper plate	2
D	Profile 4080 800mm	1
E	TV bracket	3
F	Extension plate	4
G	Profile 4080 600mm	2

Fasteners

Item nr.	Description	Qty
1	M8x20 bolt	42
2	M8 t-slot nut	42
3	Corner bracket 4040	4
4	End cap 4040	4
5	End cap 4080	8

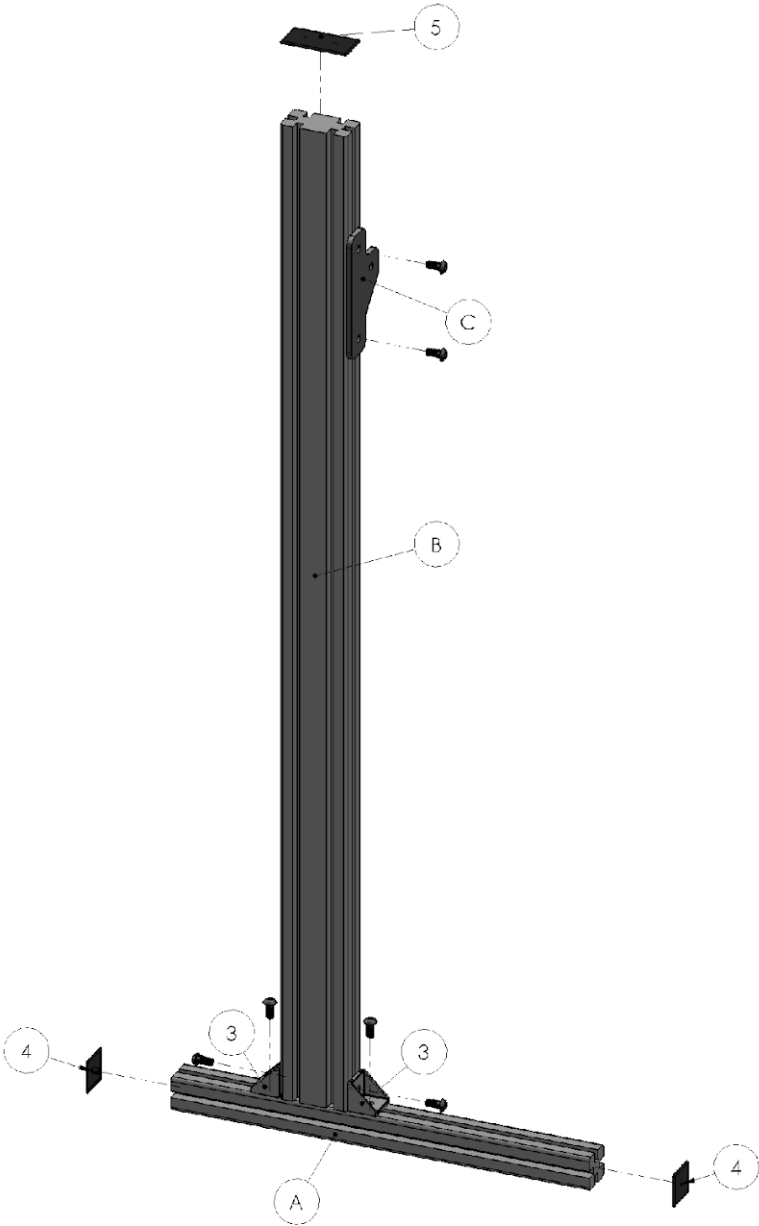
Tools required



6mm

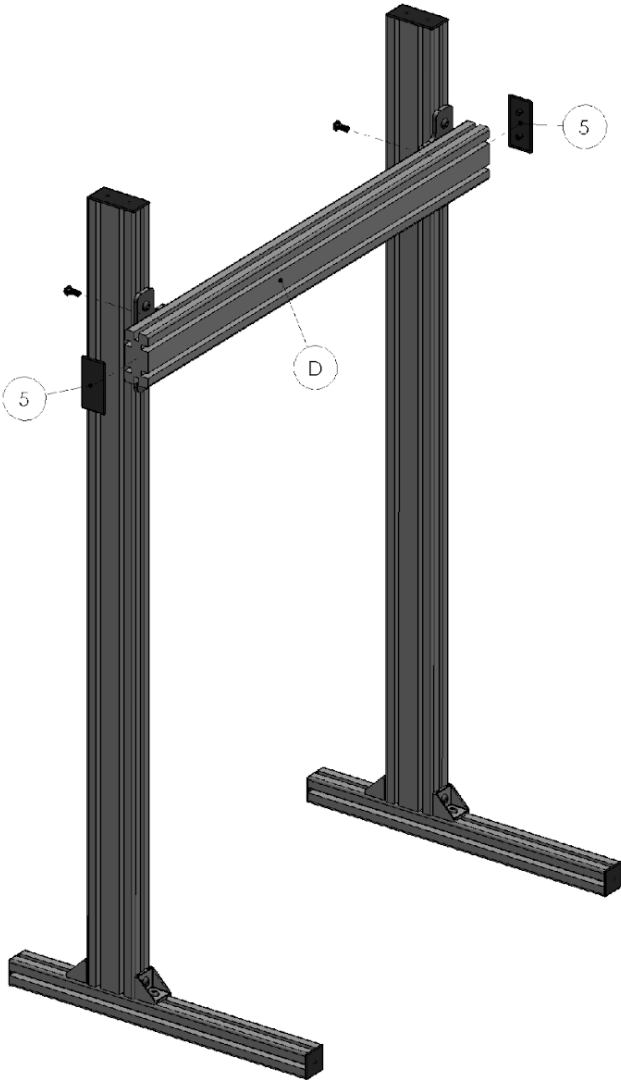
Step 1

2x



Item nr.	Description	Qty
A	Profile 4040 500mm	2
B	Profile 4080 1200mm	2
C	Upper plate	2
1	M8x20 bolt	12
2	M8 t-slot nut	12
3	Corner bracket 4040	4
4	End cap 4040	4
5	End cap 4080	2

Step 2



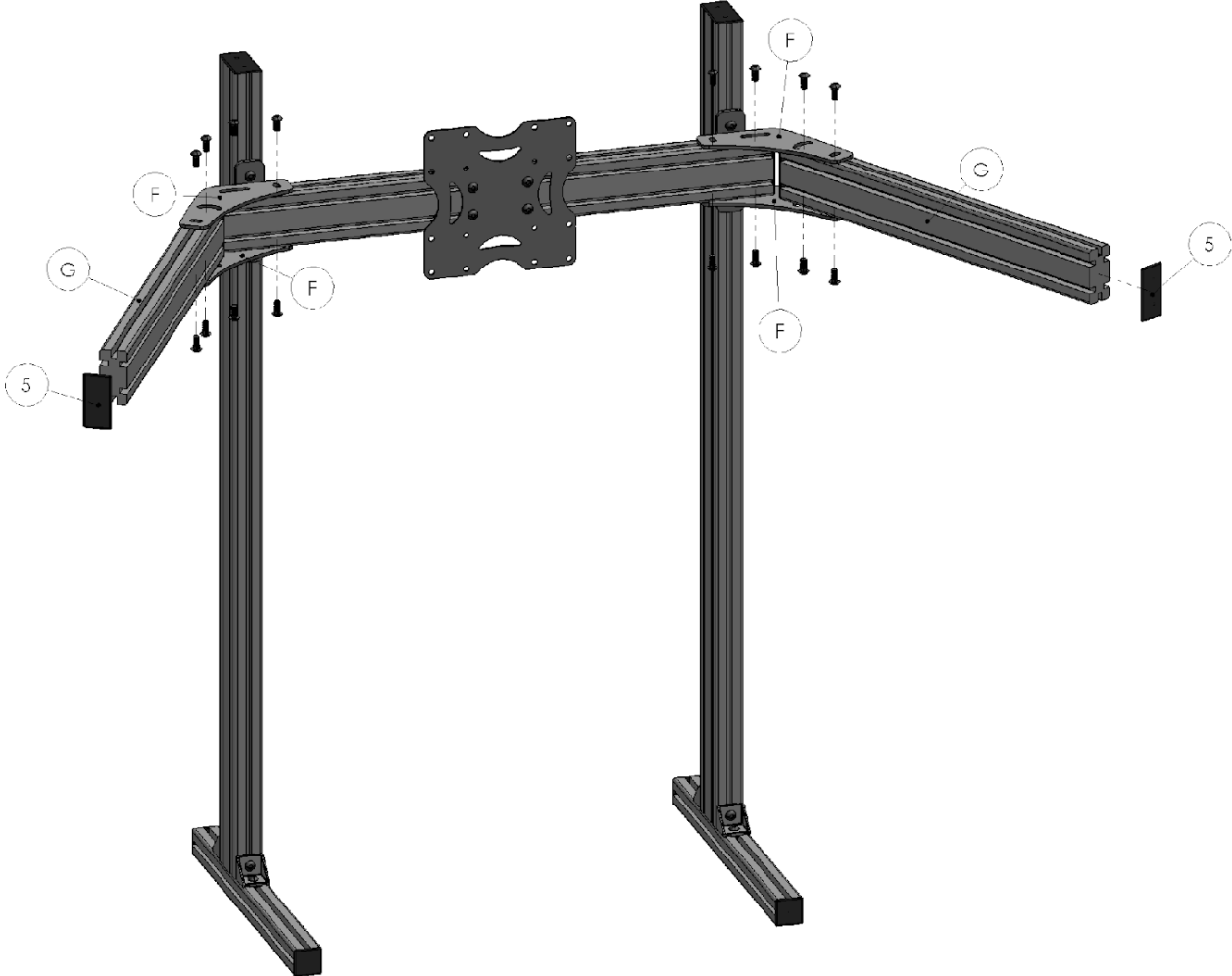
Item nr.	Description	Qty
D	Profile 4080 800mm	1
1	M8x20 bolt	2
2	M8 t-slot nut	2
5	End cap 4080	2

Step 3



Item nr.	Description	Qty
E	TV bracket	1
1	M8x20 bolt	4
2	M8 t-slot nut	4

Step 4



Item nr.	Description	Qty
F	Extension plate	4
G	Profile 4080 600mm	2
1	M8x20 bolt	16
2	M8 t-slot nut	16
5	End cap 4080	4

Step 5



Item nr.	Description	Qty
E	TV bracket	2
1	M8x20 bolt	8
2	M8 t-slot nut	8